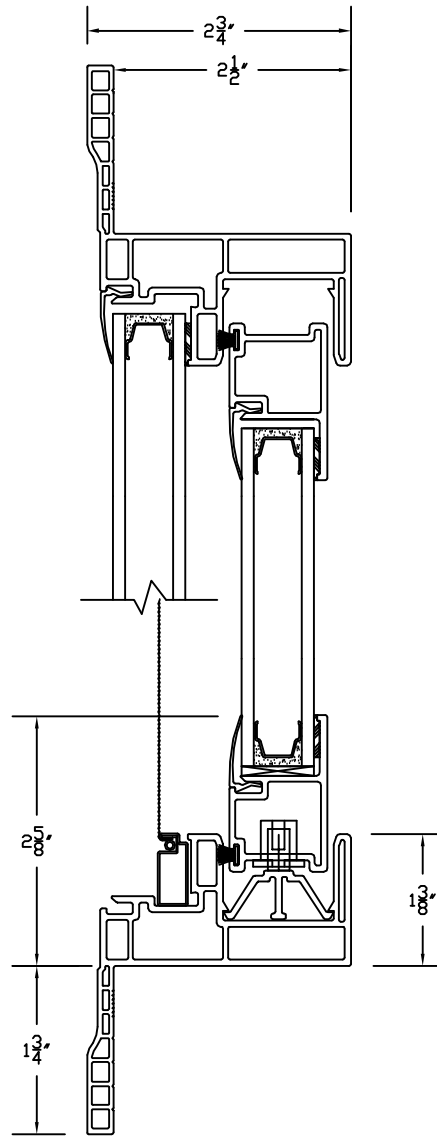


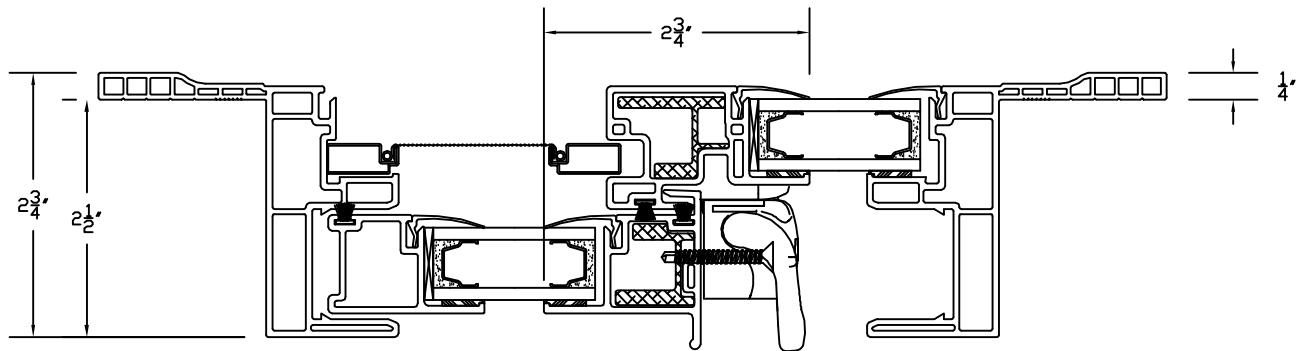
ARTISAN FIN  
CRESCENT AUTO LOCK

EXTERIOR

HEAD/SILL VIEW



EXTERIOR



JAMB VIEW

SCALE: 6" = 1' (1/2 SCALE)

MERCER INDUSTRIES, INC. RESERVES THE RIGHT TO ALTER  
DETAILS CONTAINED HEREIN WITHOUT NOTIFICATION. © 2010

