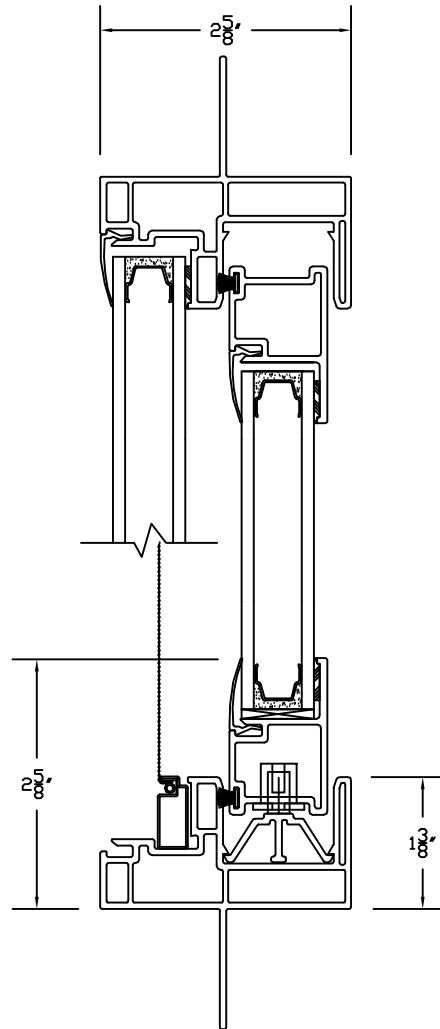


NAIL FIN FRAME

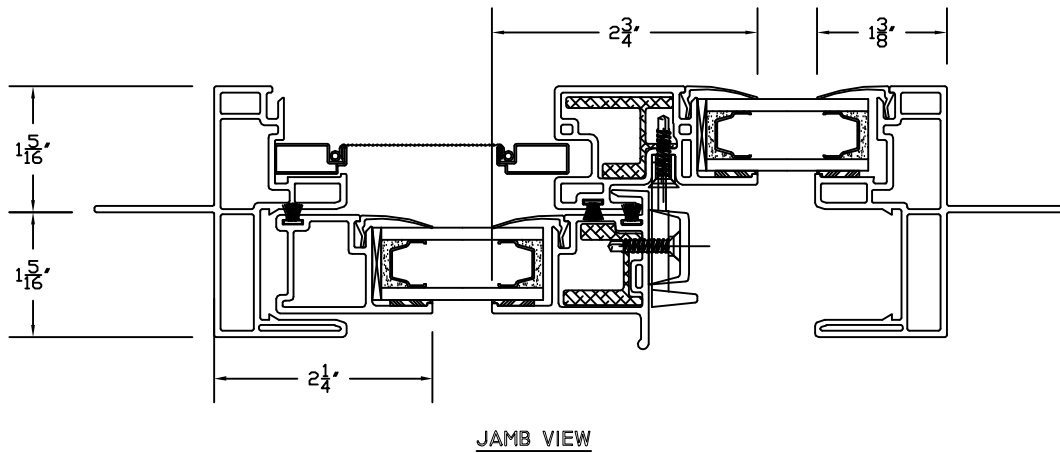
800 SERIES SLIDER

EXTERIOR

HEAD/SILL VIEW



EXTERIOR



JAMB VIEW

SCALE: 6" = 1' (1/2 SCALE)