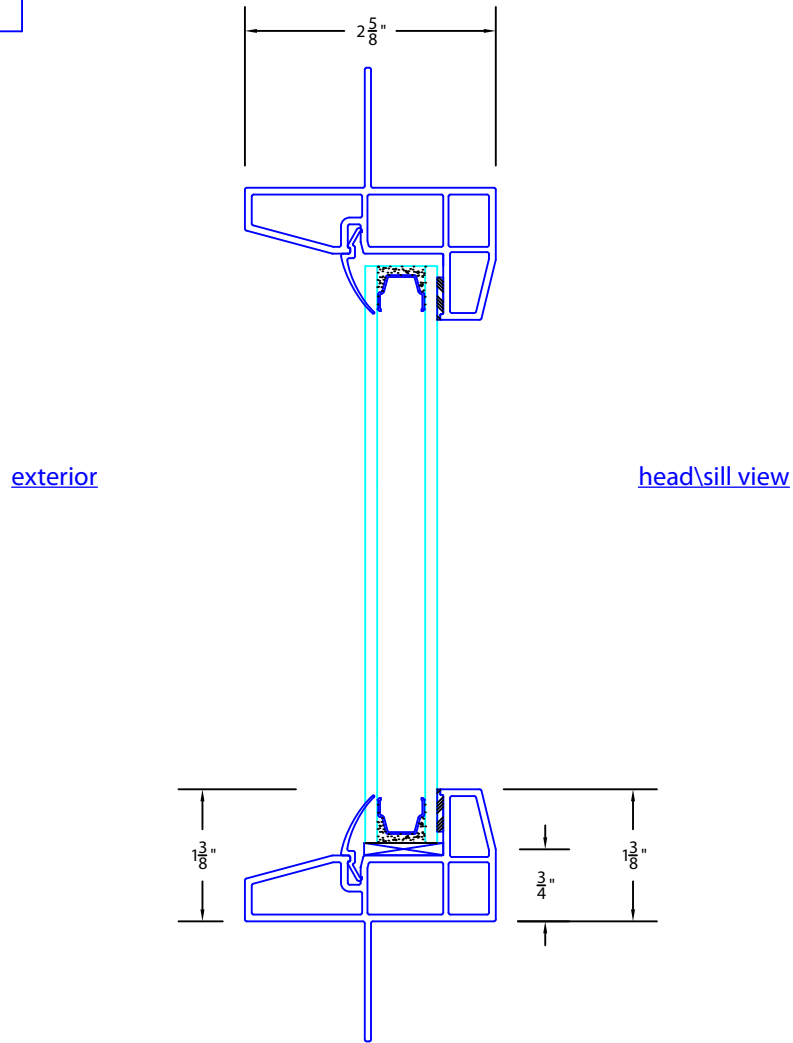
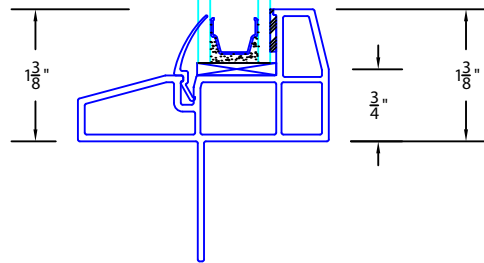


NAIL FIN FRAME

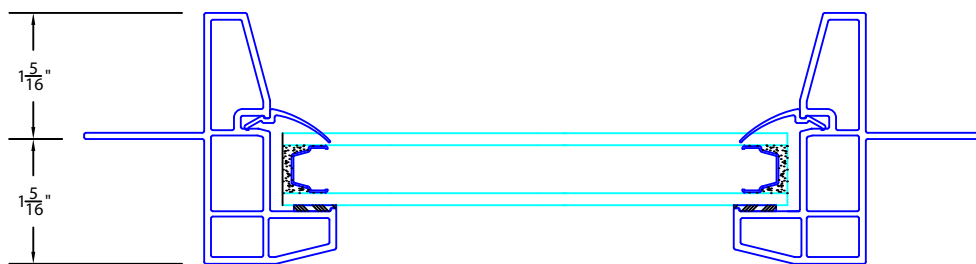


exterior

head/sill view



exterior



jamb view

Scale: 6" = 1' (1/2 scale)

Mercer Industries, inc. reserves the right to alter details contained herein without notification.



800 SERIES PICTURE WINDOW-