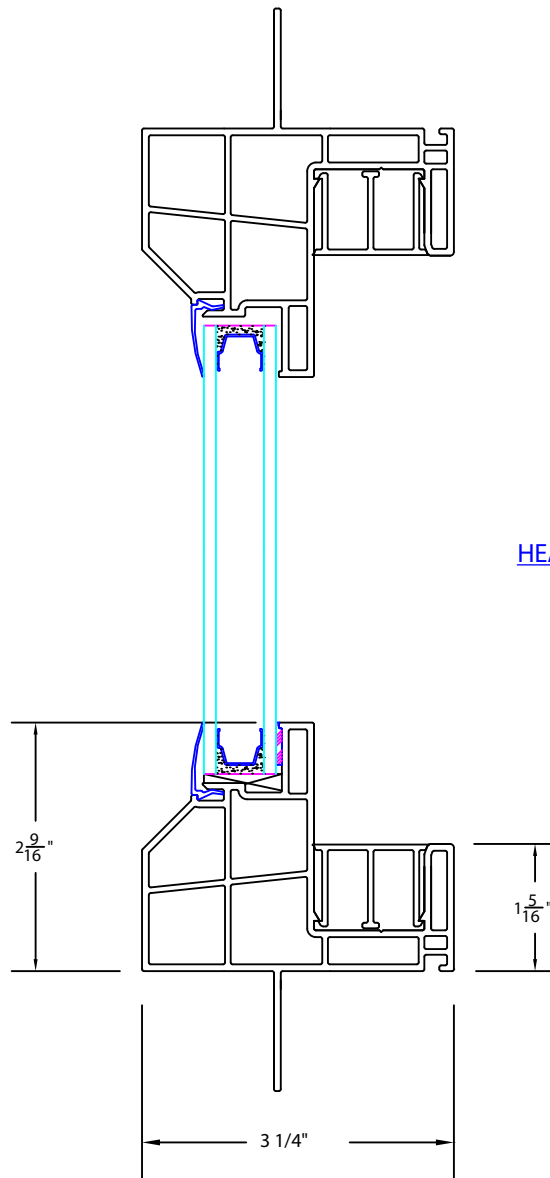


NAIL FIN FRAME

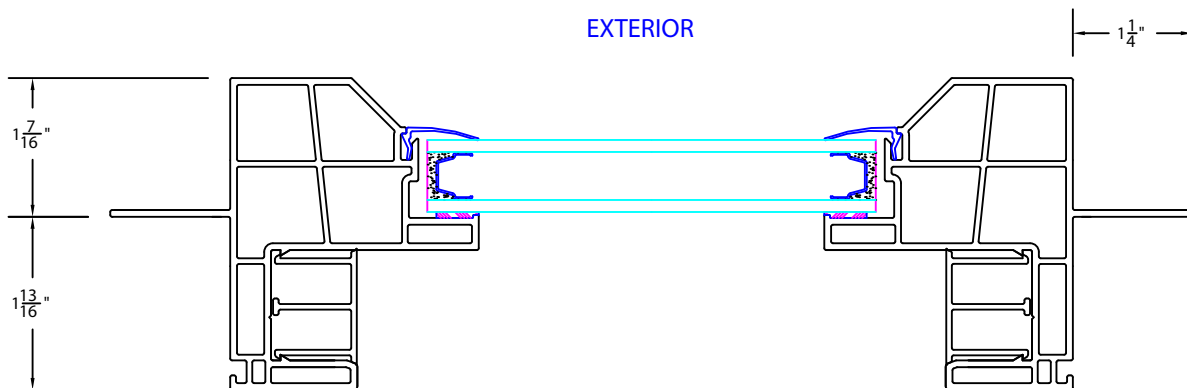
820 Series -PW FRAME-

EXTERIOR

HEAD/SILL VIEW



EXTERIOR



JAMB VIEW

Scale: 6" = 1' (1/2 scale)

Mercer Industries, inc. reserves the right to alter details contained herein without notification.

