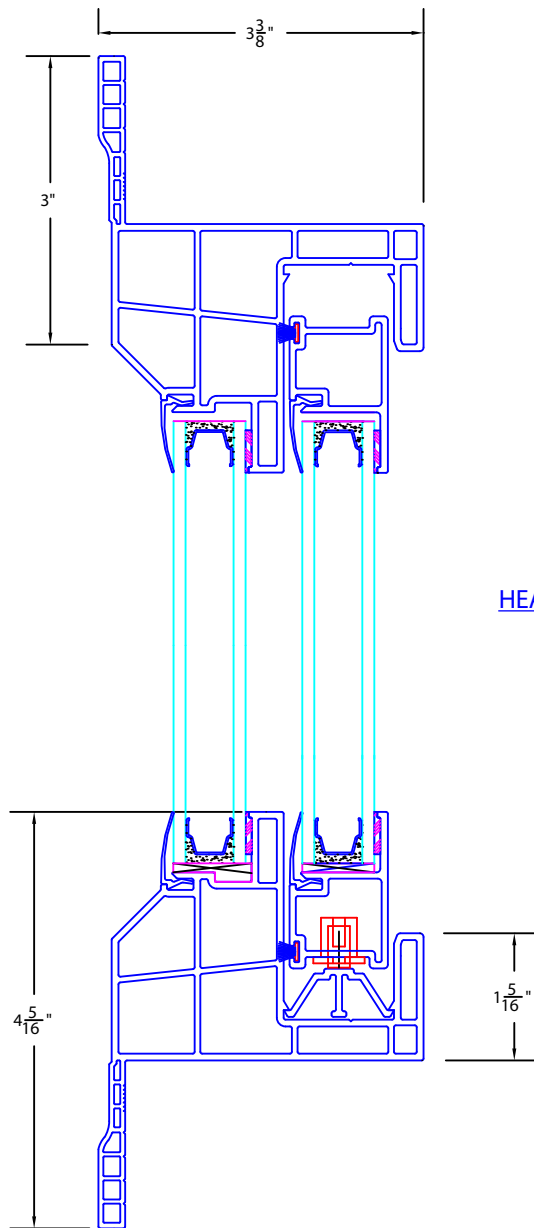


ARTISAN FRAME

820 Series -SLIDER

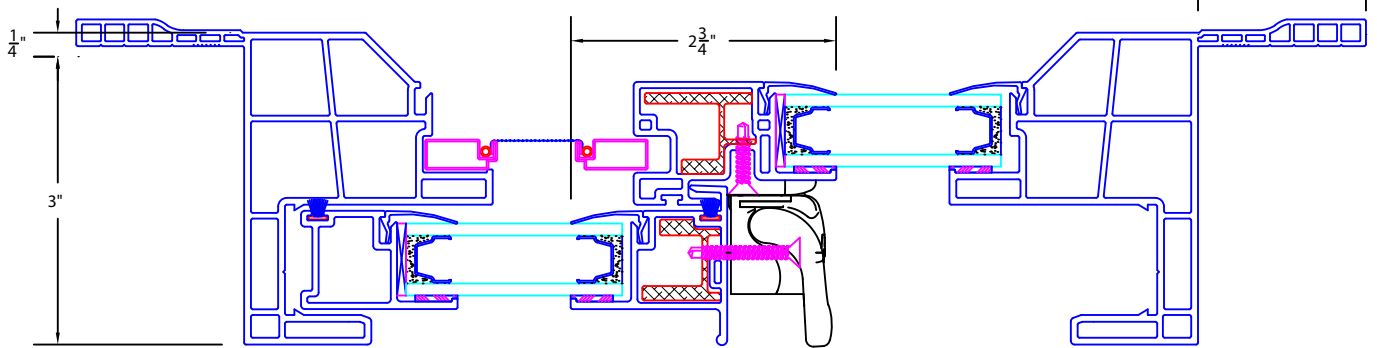
EXTERIOR

HEAD/SILL VIEW



EXTERIOR

1 3/4"



JAMB VIEW

Scale: 6" = 1' (1/2 scale)

Mercer Industries, inc. reserves the right to alter details contained herein without notification.

