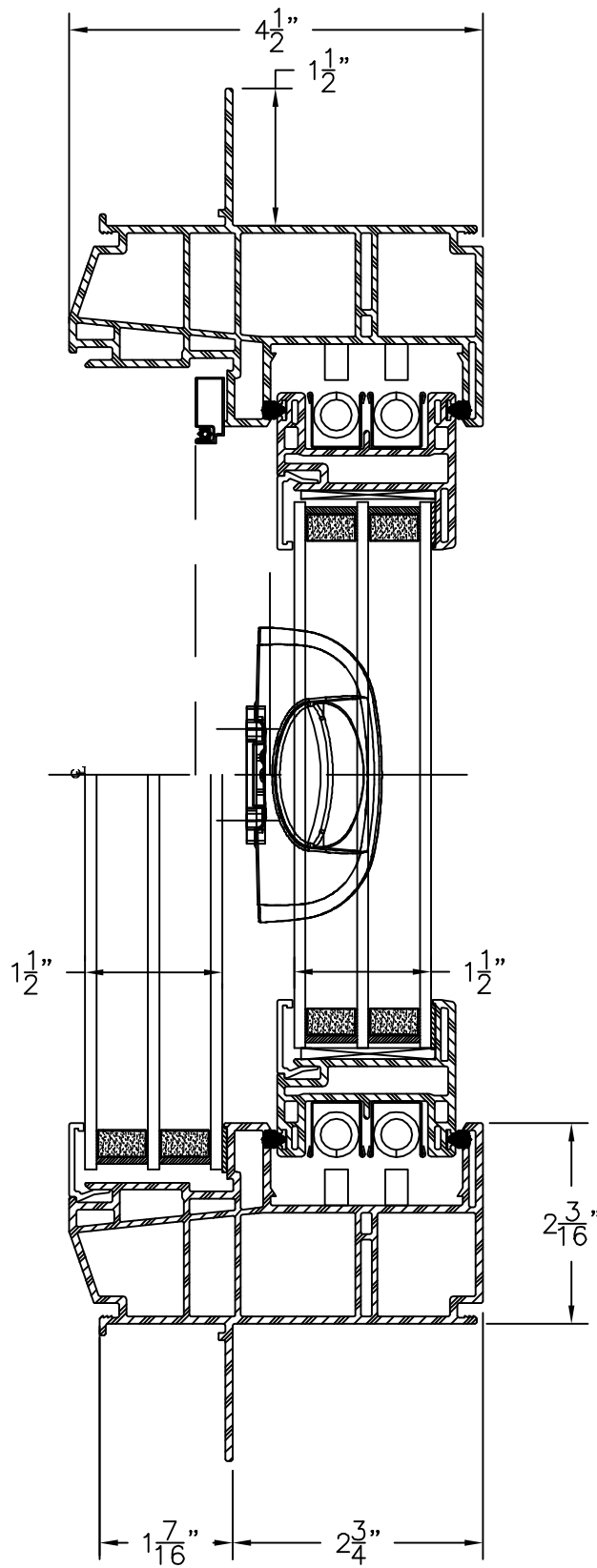


JAMB VIEW

830 SERIES TRIPLE GLAZED SH

EXTERIOR

INTERIOR



SCALE: 6" = 1' (1/2 SCALE)

MERCER INDUSTRIES, INC. RESERVES THE RIGHT TO ALTER  
DETAILS CONTAINED HEREIN WITHOUT NOTIFICATION. © 2010

